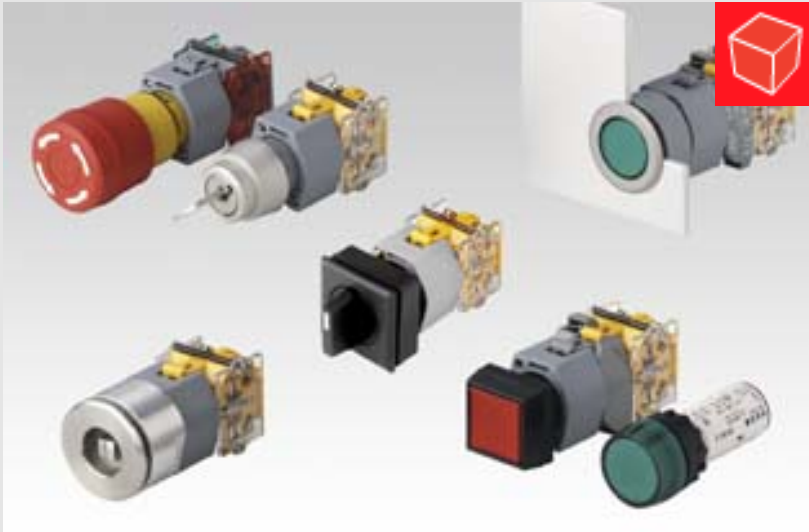


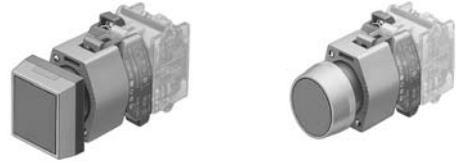
Series 04



Front size	29 mm dia. 30 x 30 mm 35 mm dia. 35 x 35 mm 37 mm dia. 38 mm dia. 40 mm dia.
Front protection	IP 40 IP 54 IP 65 IP 67
Mounting hole size	22.5 mm dia. 30 x 30 mm 30.5 mm dia. 33.5 mm dia.
Switching System	Slow-make switching element Snap-action switching element
Switch rating	10 A, VAC 500 VAC, 10 A
Illumination	Filament lamp LED

Devices raised mounting

Illuminated pushbutton actuator



Illuminated pushbutton actuator	Front protection	Switching action	Front ring	Lens	□ 30 x 30 mm Typ-Nr.	∅ 29 mm Typ-Nr.	Mounting dimensions			Circuit drawing	
							Technical drawing				
Illuminated pushbutton actuator	IP 65	MA	Plastic black	Plastic blue	704.259.6	704.059.6	5	8	35	0.056	
				Plastic colourless	704.259.7	704.059.7	5	8	35	0.056	
				Plastic green	704.259.5	704.059.5	5	8	35	0.056	
				Plastic red	704.259.2	704.059.2	5	8	35	0.056	
				Plastic yellow	704.259.4	704.059.4	5	8	35	0.056	
			Plastic light-grey	Plastic blue	704.260.6	704.060.6	5	8	35	0.056	
				Plastic colourless	704.260.7	704.060.7	5	8	35	0.056	
				Plastic green	704.260.5	704.060.5	5	8	35	0.056	
				Plastic red	704.260.2	704.060.2	5	8	35	0.056	
				Plastic yellow	704.260.4	704.060.4	5	8	35	0.056	
			M	Plastic black	Plastic blue	704.229.6	704.029.6	5	8	43	0.056
					Plastic colourless	704.229.7	704.029.7	5	8	43	0.056
					Plastic green	704.229.5	704.029.5	5	8	43	0.056
					Plastic red	704.229.2	704.029.2	5	8	43	0.056
					Plastic yellow	704.229.4	704.029.4	5	8	43	0.056
				Plastic light-grey	Plastic blue	704.230.6	704.030.6	5	8	43	0.056
					Plastic colourless	704.230.7	704.030.7	5	8	43	0.056
					Plastic green	704.230.5	704.030.5	5	8	43	0.056
					Plastic red	704.230.2	704.030.2	5	8	43	0.056
					Plastic yellow	704.230.4	704.030.4	5	8	43	0.056
		MA	Aluminium natural	Plastic blue		704.062.6	5	8	35	0.056	
				Plastic colourless		704.062.7	5	8	35	0.056	
				Plastic green		704.062.5	5	8	35	0.056	
				Plastic red		704.062.2	5	8	35	0.056	
				Plastic yellow		704.062.4	5	8	35	0.056	
			Aluminium natural with protective cover	Plastic blue		704.063.6	5	8	35	0.056	
				Plastic colourless		704.063.7	5	8	35	0.056	
				Plastic green		704.063.5	5	8	35	0.056	
				Plastic red		704.063.2	5	8	35	0.056	
				Plastic yellow		704.063.4	5	8	35	0.056	
		M	Aluminium natural	Plastic blue		704.032.6	5	8	43	0.056	
				Plastic colourless		704.032.7	5	8	43	0.056	
				Plastic green		704.032.5	5	8	43	0.056	
				Plastic red		704.032.2	5	8	43	0.056	
				Plastic yellow		704.032.4	5	8	43	0.056	
			Aluminium natural with protective cover	Plastic blue		704.033.6	5	8	43	0.056	
				Plastic colourless		704.033.7	5	8	43	0.056	
				Plastic green		704.033.5	5	8	43	0.056	
				Plastic red		704.033.2	5	8	43	0.056	
				Plastic yellow		704.033.4	5	8	43	0.056	

Technical Data

Buzzer

Buzzer system

System
Piezo disc

Material

Alarm buzzer case
Polyamide

Front cap
Plastic Polyamide
Metal Nickel-plated brass (sea-water proof)

Mechanical characteristics

Terminals
Plug-in terminal 2.8 x 0.5 mm

Electrical characteristics

Frequency (tone)
approx. 2.8 kHz continuous tone only

Sound pressure
95 db (A) ±8 dB at a distance of 0.1 m

Operation Voltage/Current
Operation Voltage 24 VDC ±10 %
Operation Current ≤25 mA

Environmental conditions

Storage temperature
-35 °C ... +85 °C

Operating temperature
-25 °C ... +55 °C

Protection degree
as per EN IEC 60529, frontside
IP 40, devices flush mounting
IP 65, devices raised mounting

Approvals

Declaration of conformity
CE
RoHS

Actuator

Material

Front ring
Polyamide, Aluminium or Stainless steel

Mounting flange
Polyethylene terephthalate

Actuator housing
Polycarbonate, Polyamide

Mechanical characteristics

Actuating force
Mounting style square flush 6.2 N
other Mounting styles 8 N

Actuating travel
5.8 mm ± 0.2 mm

Mechanical lifetime
(with 1 switching element)

Pushbutton	≤3 million	Cycles of operation
Selector switch	≤2.5 million	Cycles of operation
Stop switch	≤50 000	Cycles of operation
Fool proofed E-stop	≥6050	Cycles of operation
Keylock switch	≤50 000	Cycles of operation
Key insert switches	≤250 000	Cycles of operation

Electrical characteristics

Standards
The switches comply with the "Rules for low-voltage switching devices" EN IEC 60947-5-1

Environmental conditions

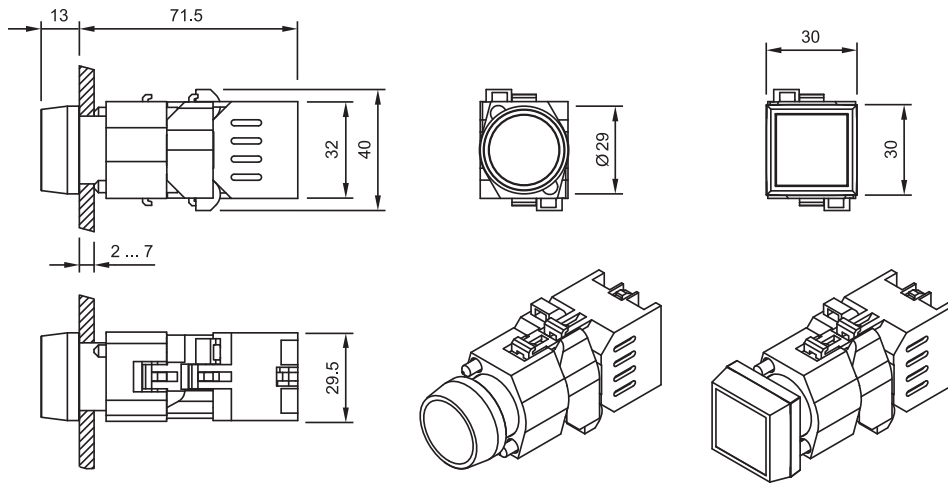
Storage temperature
-30 °C ... +85 °C

Operating temperature
-25 °C ... +55 °C (with LED)
-25 °C ... +40 °C (with filament lamp)
-40 °C ... +85 °C (Key insert switch)

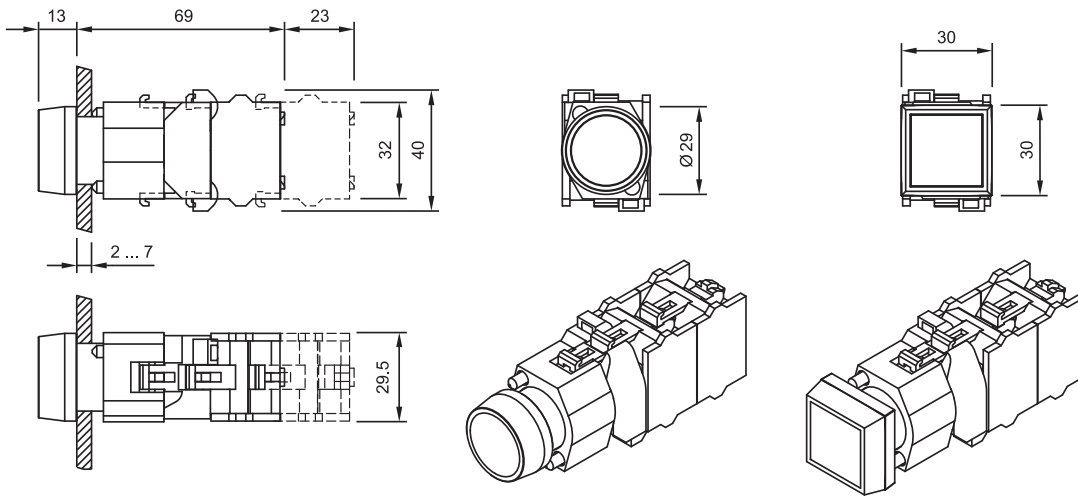
Protection degree
as per EN IEC 60529
frontside IP 65 (IP 67 Key insert switch)

Drawings

7 Flasher front illumination page 16



8 Illuminated pushbutton actuator page 20



9 Keylock switch actuator 2 positions page 25 | Keylock switch actuator 3 positions page 26

